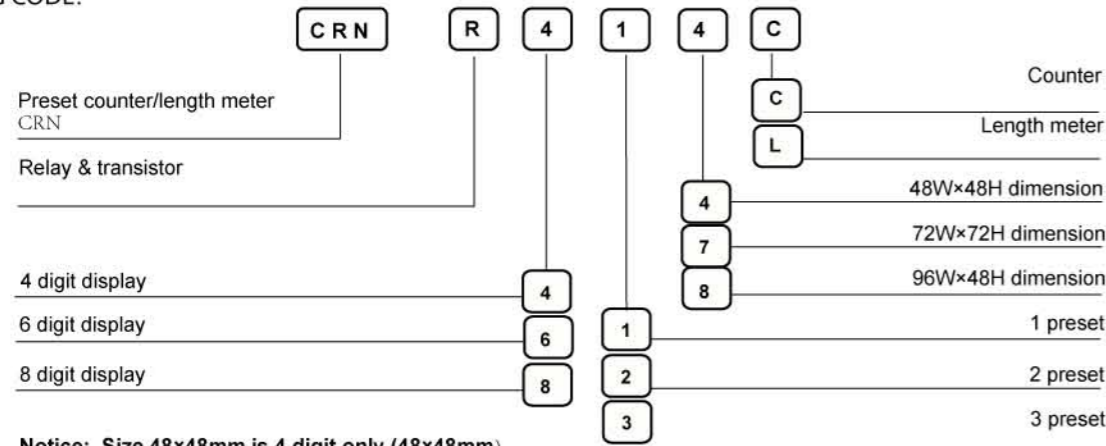




FEATURES:

- Preset counter, length meter, soft buttons operation, easy to operate.
- Dual line 4、6、8 digit display; Power fail holding function, up to 10 years.
- Counting mode: counting Up or counting down, counting up and down, selectable by software.
- CP1, CP2 input, reset signal input; input mode: voltage(PNP),non-voltage input (NPN).
- Relay and transistor output; optional control output: N, F, C, R; Modulus can be set by user.
- Counter speed: 30Hz/300Hz/1000Hz/5000Hz,selectable by software. (10KHz can be special ordered).
30CPS/300CPS/1KCPS/5KCPS(10KCPS)
- Dimensions: 48X48mm, 72X72mm, 48X96mm.
48Wx48H、72Wx72H、96Wx48H(mm)。
- Application: can be used with photoelectric sensor, proximity switch and rotary encoder in the fields of machinery, light industrial, packing and packaging,food and beverage, for measure length, counter etc.

1.ORDERING CODE:



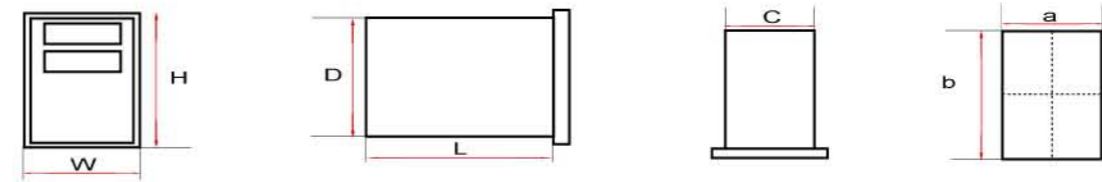
Notice: Size 48x48mm is 4 digit only (48x48mm).

MODELS				COUNTER TYPE	PRESET
CRN-R414C	CRN-R424C	CRN-R414L	CRN-R424L	C / L	1:One / 2: Two
CRN-R417C	CRN-R427C	CRN-R417L	CRN-R427L	C / L	1:One / 2: Two
CRN-R617C	CRN-R627C	CRN-R617L	CRN-R627L	C:计数器 / L: 计米器	1:One / 2: Two
CRN-R418C	CRN-R428C	CRN-R418L	CRN-R428L	C:计数器 / L: 计米器	1:One / 2: Two
CRN-R618C	CRN-R628C	CRN-R618L	CRN-R628L	C:计数器 / L: 计米器	1:One / 2: Two
CRN-R818C	CRN-R828C	CRN-R818L		C:计数器 / L: 计米器	1:One / 2: Two

2. TECHNICAL SPECIFICATIONS:

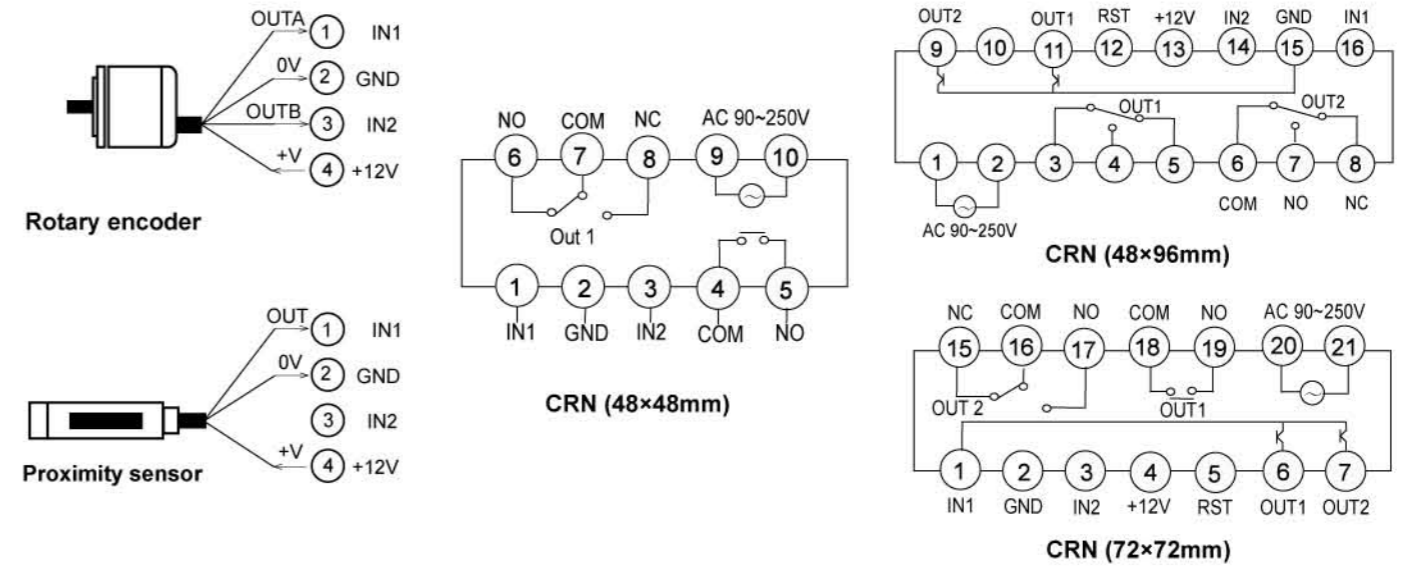
Power supply (仪表电源):	AC 100~240V 50/60HZ
Power consumption (功耗):	≤ 4VA
Transmitter supply (传感器电源)	12V DC ±10% max.50mA
Control output:	Relay: NO., contact capacity: AC 250V /3A orDC 30V /3A Cosφ=1 Transistor open collector output : max. DC 30V/100mA
Reset:	Auto reset / manual reset / external switch reset
Input signals :	Contact input, volate input, transducer input Input signals low voltage : 0~2V; High voltage : 4~30V Input resistance : 5KΩ
Counting mode:	Counting up or counting down, counting up and down
Output mode:	N、F、C、R
Display range:	0~9999、0~999999、0~99999999
Decimal point :	9.999 (4 digit)、99.9999 (6 digit)、99.999999 (8 digit)
Ambient temperature:	0~50 C
Humidity :	35~85%(RH)

3.DIMENSION AND INSTALLATION HOLE DIMENSION(unit: mm):



MODEL	DIMENSION		INSTALLATION HOLE DIMENSION: a × b(mm)
	W × H(mm)	C × D × L(mm)	
CRN-R□4	48 × 48	44 × 44 × 80	45 × 45
CRN-R□8	48 × 96	43 × 91 × 112	44 × 92
CRN-R□7	72 × 72	67 × 67 × 112	68 × 68

4.ELECTRICAL CONNECTIONS:



Note: if the connection drawing doesn't correspond to the drawing on the product, please according to the drawing on the product.

5.CAUTIONS:

- Users are prohibited to repair the controller by themselves to avoid any damage to the controller.
- The controller needs to check and maintain regularly so as to operate safely long-term. To change the damaged components, please contact our sales people or technical people for assistance.
- To clean out the dust or dirt on the instrument screen, please use soft cloth or cotton paper.
- Do not use screw driver or hard pin to touch the soft buttons on the faceplate.
- To avoid this instrument used in environment of overflow water or explosive oil.
- In case the instrument is used in environment of strong noise, (such as motor, transformer, solenoid,etc.) A current suppresser or noise filter should be used. In case the instrument is use in environment of nuclear control, iatrical equipment, auto, train, airplane or security equipment that need protections, please contact the manufacturer for details.

Prox.sensor
Photo Sensor
Hall Sensor
Analog Sensor
SSR
Temperature Controller
Sensor Indicator
Counter
Timer
Frequency/Tacho/Line-speed meter
Coulou meter
Digital Panel Meter